

PROFESSIONAL ECOSOFT MO36000 4" REVERSE OSMOSIS SYSTEM

APPLICATIONS

Steam boilers, heating and cooling circuits, breweries and beverage production, livestock and poultry farms, glazing factories, laundry and car wash, greenhouses etc.

EQUIPMENT

- Grundfos® CM 3-14 pump
- 300 psi membrane housings
- BB20 sediment prefilter
- Electrical panel with Ecosoft controller
- Danfoss solenoid valves
- Piping, instrumentation
- Steel frame
- Wooden crate

KEY FEATURES

- Ecosoft controller OC5000
- Easy to use thanks to smart architecture
- Modularized architecture for adding permeate flushing or raw water blending assembly to the system
- Grundfos worldwide guaranty
- CE marked and confirmed to be safe in accordance with EC New Approach Directives

OPTIONS

- Filmtec™ XLE-4040 / LCLE-4040 or Ecosoft ELP-4040 membrane
- Dosing pump for antiscalant
- Versatile set for raw water blending (120...1080 L/h) or permeate flushing

PHYSICAL PARAMETERS

Influent water, concentrate, permeate	G 1"
Antiscalant dosing port	G ½"
Permeate flushing input port	G 1"
Raw water blending port	G ¾"
Approx. weight (bare system / crate)	130 kg 170 kg
Dimensions (bare system, W × D × H)	0.90 × 0.60 × 1.50 m
Dimensions (crate, W × D × H)	1.20 × 0.75 × 1.90 m



Ecosoft reserves the right to amend the product's system architecture provided that its functionality and usability will not deteriorate

PROFESSIONAL ECOSOFT MO36000 4" REVERSE OSMOSIS SYSTEM

Code	Product	Flow rate, L/h (GPH)	Membranes**	Pieces on pallet
MO36000TP5	Ecosoft MO36000 RO System	1400–1600 (350–420)	6/40 x 40	1

** Membranes are not included in the package

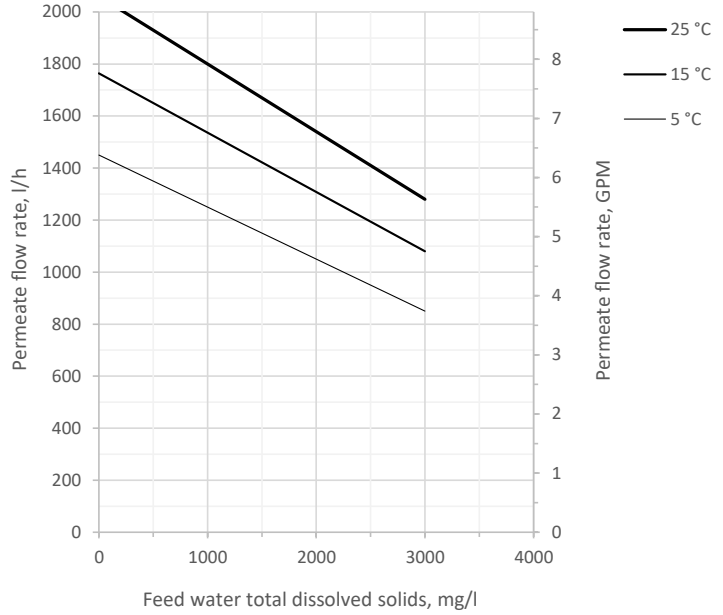
TECHNICAL SPECIFICATION

Permeate capacity ¹	1500 L/h
Permeate recovery ²	75%
Maximum TDS	3000 mg/L
Influent flow demand	2000...2500 L/h (service) 3000...4000 L/h (rinse)
Operating pressure	8...12 bar
Maximum pressure	14 bar
Electrical requirements	230 V, 50 Hz (1 ph)
Electrical power	2 kW
Prefilter rating	5 µm

¹ depends on feed water TDS, temperature, and permeate recovery — see graph on the right

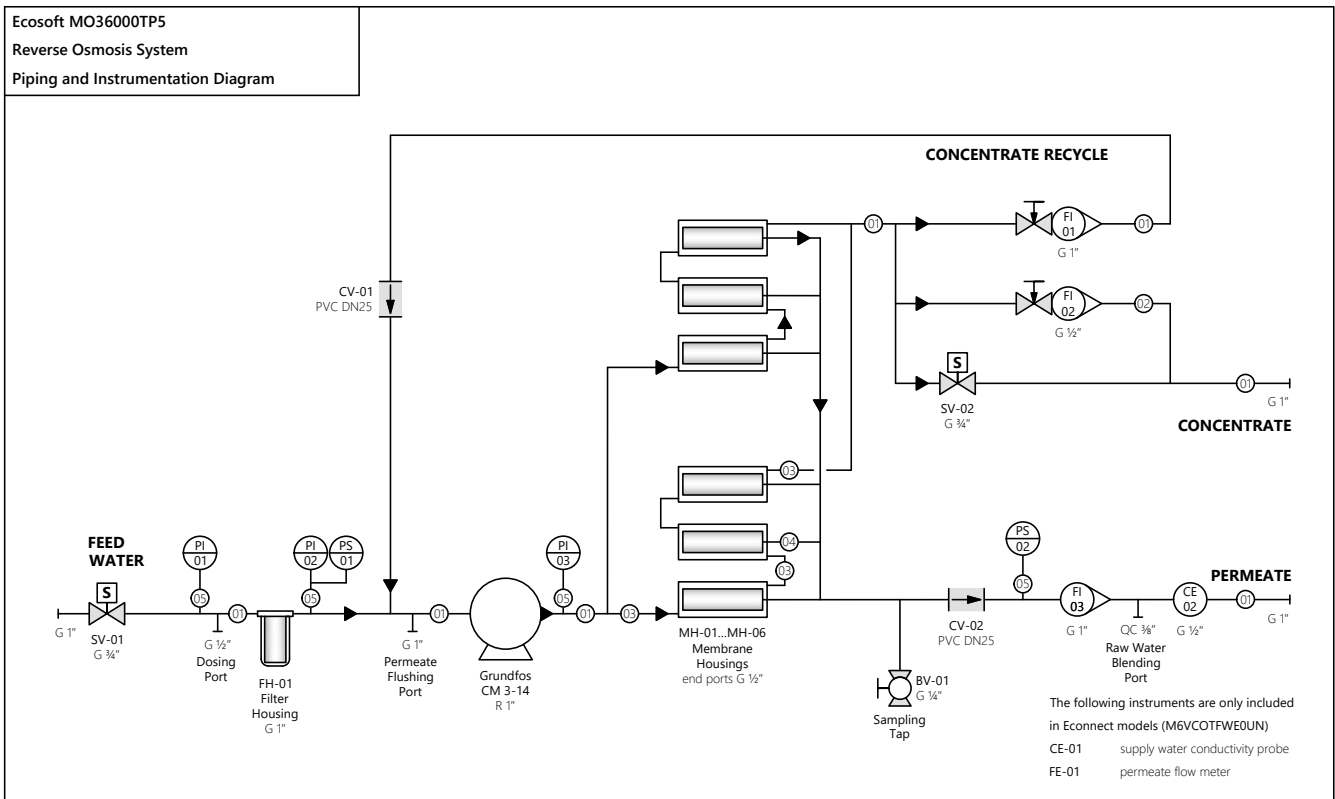
² for low scaling/fouling water

ECOSOFT MO36000 FLOW CAPACITY (WITH XLE-4040 MEMBRANES)



Permeate flow rates are calculated under the following conditions:
 • 2 bar influent water pressure
 • 0 bar backpressure in the permeate line
 • fresh membranes
 • XLE-4040 membranes

PIPES AND INSTRUMENTS DIAGRAM



PIPES AND CONNECTIONS	VALVES	INSTRUMENTS
<ul style="list-style-type: none"> —○— PVC pipe 32 mm O.D. —○— PVC pipe 20 mm O.D. —○— PE hose 1/2" O.D. —○— PE hose 3/8" O.D. —○— PE hose 1/4" O.D. 	<ul style="list-style-type: none"> G parallel BSPT thread R tapered BSPT thread PVC polyvinylchloride (solvent weld) PE polyethylene QC quick connect collet fitting 	<ul style="list-style-type: none"> S Solenoid Valve N Needle Valve CV Check Valve BV Ball Valve PI Pressure gauge (panel mount) PS Pressure switch (panel mount) FI Rotameter CE Conductivity probe (process mount) FE Flow meter (process mount)